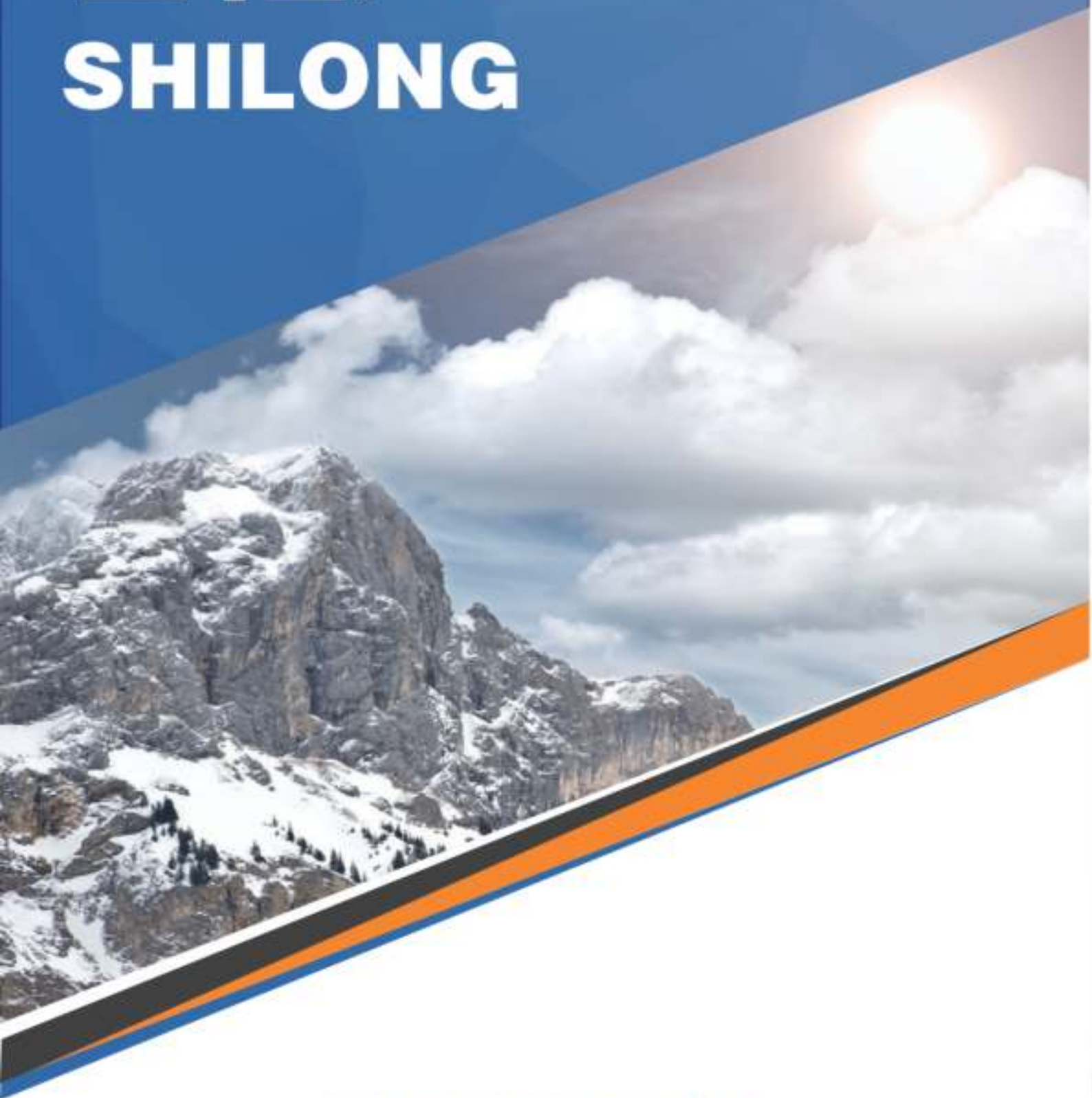


专业破碎筛分设备的制造工厂
专业破碎筛分解决方案供应商
Professional Crushing and Screening Equipment Manufacturing Factory
Professional Crushing and Screening Solutions Plan Provider

世隆 
SHILONG



 **20**
YEARS

用心缔造精品 诚信塑造品质



网站 Website : www.chinaslm.net

邮箱 Email : slm@chinaslm.net

地址 Adress : 沈阳经济技术开发区19-1号, 9A-204

Factory Address : No.19-1 9A-204, Economic and Technology Development Area, Shenyang, China

邮编 ZipCode : 110027

沈阳世隆机械制造有限公司
Shenyang ShiLong Mechanical Manufacturing Co., Ltd.

目录 CONTENTS

| | |
|---|------|
| 1.公司简介 Company Profile | -1- |
| 2.生产能力 Produce Capacity | -3- |
| 3.整机设备 Equipment | -7- |
| 1) 颚式破碎机 Jaw Crusher | -8- |
| 2) 单缸液压圆锥破碎机 Single Cylinder Hydraulic Cone Crusher..... | -9- |
| 3) 多缸液压圆锥破碎机 Mult-Cylinder Hydraulic Cone crusher..... | -11- |
| 4) 西蒙斯圆锥破碎 Symons Cone Crusher | -13- |
| 5) 弹簧圆锥破碎机 Spring Cone Crusher | -15- |
| 6) 振动筛 Vibrating Screen | -17- |
| 7) 高压辊磨机 (HPGR) High Pressure Grinding Rollers | -18- |
| 4. 备件 Spare Parts | -19- |
| 5. 矿山破碎设备和筛分设备生产线 | -31- |
| Mine Crushing Equipment and Screening Production Line | -31- |
| 6.全球展会 Shilong Global Exhibition | -35- |
| 7.世隆质量担保 Shilong Quality Assurance | -39- |

20 Years
of Trust

20年
用心缔造精品
诚信塑造品质

关于我们

About Us

1



Shenyang Shilong Mechanical Manufacturing Co., Ltd. was established in 2000. It is a comprehensive company dedicated to the production and manufacture of complete crushers, screens and their spare parts. Shenyang Shilong can design the production process for mining customers, formulate selection plans, and provide high-quality equipment. Shenyang Shilong is located in the industrial base of Northeast China. After nearly 20 years of development, the company has gradually formed a large-scale manufacturing plant centered on the mining industry and spanning cement, power stations, petroleum industries and other related fields. The related products manufactured are all over the country and exported to the United States, Europe, Southeast Asia, the Middle East, Russia and other CIS countries.

As a manufacturing enterprise focusing on mining equipment and products, Shilong is committed to building a global professional manufacturing plant. The company has more than 20 years of production experience in the crusher industry. The workshop is equipped with advanced CNC vertical lathes, CNC horizontal lathes, CNC boring machines, large CNC gantry milling machines, CNC drilling machines, CNC blanking machines, welding robots and other large-scale machining, riveting and welding equipment and Three coordinates and other testing equipment. Over the past 20 years, Shilong has manufactured more than 1,000 kinds of mining equipment and related parts for more than 3,000 domestic enterprises and foreign trade companies. The products mainly cover complete machines and spare parts of HP multi-cylinder cone crushers, old spring cone crushers, GP single-cylinder cone crushers, jaw crushers, vibrating screens, and high-pressure grinder rollers. Products with reliable quality and good performance have won wide acclaim.

沈阳世隆机械制造有限公司成立于2000年，是一家专注致力于生产制造破碎机整机和筛机设备及其零部件的综合性公司。沈阳世隆可为矿山客户量身设计生产流程，制定选型方案，并提供优质设备。公司坐落于中国东北工业基地，经过近二十余年的发展，公司现逐渐形成以矿山行业为中心，同时跨及水泥与电站、石油行业等相关领域的大型制造工厂。生产制造的相关产品遍及全国，并远销美国，欧洲，东南亚，中东，俄罗斯及其他独联体等国家。

作为专注于矿山领域设备及产品的制造类企业，世隆致力于打造全球化的专业制造工厂。公司在破碎机行业有20余年的生产经验，车间配备先进的数控立车、数控卧车、数控镗床、大型数控龙门铣、数控钻床、数控下料机，焊接机器人等大型机加、铆焊设备及三坐标等多种检测设备。世隆二十年来为国内超过三千家的企业与外贸公司生产制造过千余种矿山设备及相关配件。产品主要覆盖HP多缸圆锥破碎机、老弹簧圆锥破碎机、GP单缸圆锥破碎机、颚式破碎机、振动筛、高压辊磨机的整机及配件。产品质量可靠、性能良好，赢得了广泛赞誉。

时间是最好的质检员。世隆以优质的质量与能力为您提供经得起考验的设备及配件和专业的服务。质量把控与售后跟踪是世隆传承的服务宗旨。根据图纸满足客户要求是世隆不变的准则。缩短设计、生产和供货周期是世隆承诺的保障。世隆专业的售后服务团队为您提供24小时的在线服务。

世隆期待与您共同开创未来！

Time is the best quality inspector. Shilong provides you with testable equipment and accessories and professional services with high quality and ability. Quality control and after-sales tracking are the service tenets inherited by Shilong. Satisfying customer requirements according to drawings is Shilong's constant criterion. Shortening the design, production and supply cycle is the guarantee of Shilong's commitment. Shilong's professional after-sales service team provides you with 24-hour online service.

Shilong looks forward to creating the future with you!

生产能力 / Produce Capacity / 2

沈阳世隆拥有完善的生产管理体系并拥有ISO 9001质量管理体系认证。沈阳世隆从选材开始，严格把控铸造、机加、铆焊、装配、检验、包装发货等各个生产环节，每一个环节都有严格检验流程和报告。每一个出厂产品都有自己档案系统。力求提供最完美的产品供给客户。

Shenyang Shilong has a complete production management system and has ISO 9001 quality management system certification. Shenyang Shilong starts from the very beginning of material selection, and strictly controls all production links such as casting, machining, riveting, assembly, inspection, packaging and delivery, and each link has strict inspection procedures and reports. Each factory product has its own file system. Strive to provide the most perfect products for customers.



ISO 9001 质量认证

数控镗床
CNC Boring Lathe



大型数控龙门铣床
Large CNC Gantry Milling Machine



数显镗床
Digital Display Boring Machine



数控龙门铣床
CNC Gantry Milling Machine



数控立式车床
CNC Vertical Lathe



数控立式车床
CNC Vertical Lathe



数控龙门铣床
CNC Gantry Milling Machine



数控卧车
CNC Horizontal



数控立式车床
CNC Vertical Lathe



焊接机器人
Welding Robot



钻床
Drilling Lathe



数控立式车床
CNC Vertical Lathe



数控滚齿机
CNC Gear Hobbing Machine



Gleason 齿轮加工设备
Gleason Gear Machining Equipment Lathe



生产能力 Produce Capacity

整机设备 Equipment / 3

颚式破碎机是一种用途极为广泛的破碎设备，根据其结构特点可分为复摆颚式破碎机（即单肘板颚式破碎机）和简摆颚式破碎机（即双肘板颚式破碎机）。

一般说来，复摆颚式破碎机适用于粗、中碎抗压强度250MPa以下的各种矿石和岩石；PE细碎复摆颚式破碎机一般只适用于细碎中等以下硬度的矿石和岩石。而简摆颚式破碎机则可破碎各种硬度的矿石和岩石，且特别适用于破碎各种坚硬的磨蚀性强的石料。

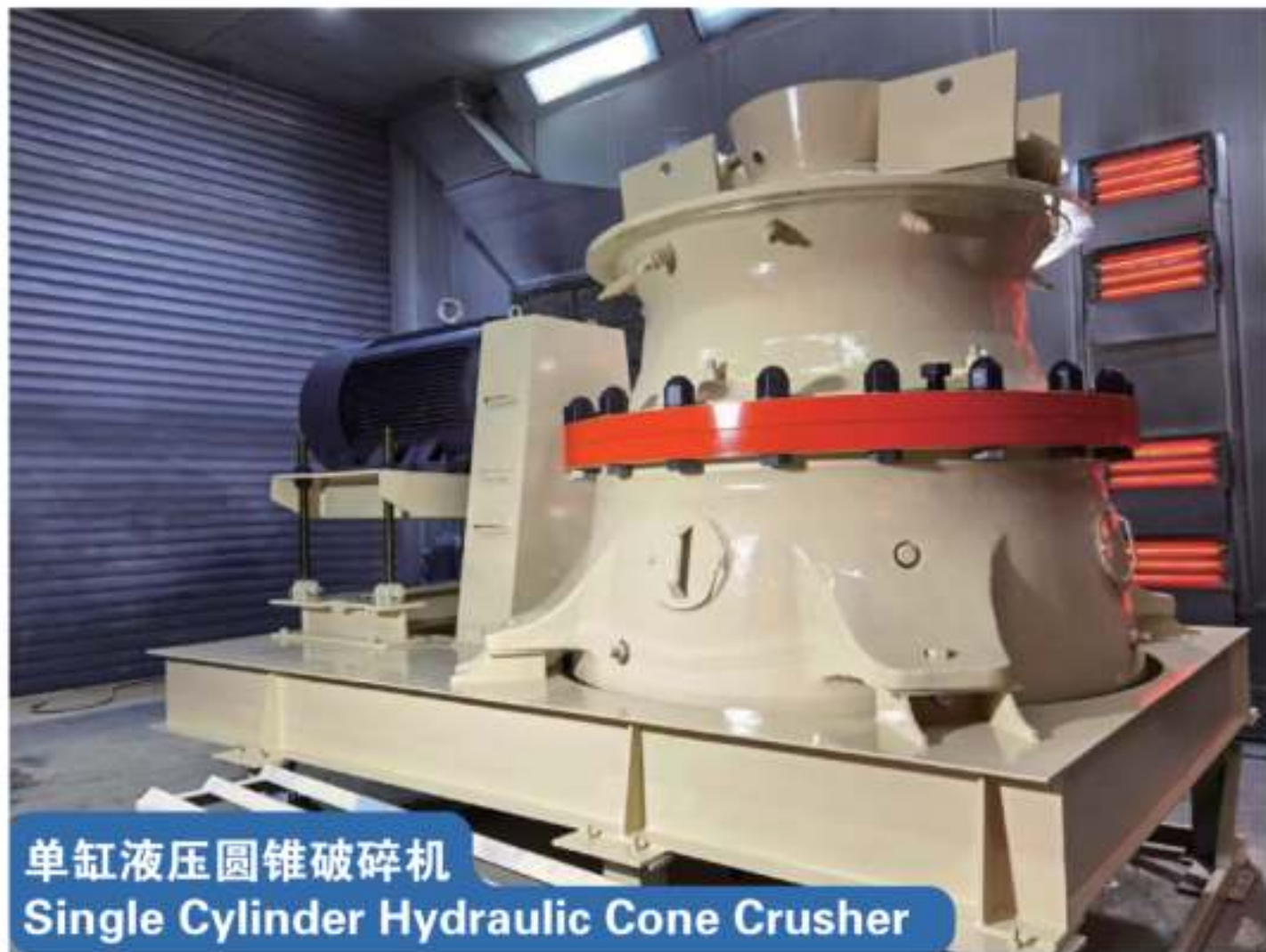
Jaw crusher is widely used crushing equipment. It can be divided to duplicate pendulum jaw crusher (single jaw plate jaw crusher) and simple pendulum jaw crusher (double jaw plate jaw crusher).

In generally, duplicate pendulum jaw crusher is used in primary and secondary crushing whose ore compression strength is less than 250MPa. PEF-X fine jaw crusher is used for crush medium hard ore and rock. Simple pendulum jaw crusher can crush kinds of ore and rock with variety hard, especially hard rock and corrosive rock



颚式破碎机
Jaw crusher

| 型号 MODEL | 进料口尺寸 Size of feed opening (mm) | 最大进料力度 Max. feed size (mm) | 处理能力 Capacity (t/h) | 偏心轴转速 Eccentric shaft rotate speed (r/min) | 电机功率 Motor power (Kw) | 进料口 调整范围 Closed side setting (mm) | 重量 Weight (t) |
|--------------|--|-------------------------------------|---------------------------|---|-----------------------------|---|---------------------|
| PE-250X400 | 250X400 | 210 | 5-20 | 300 | 15 | 20-60 | 2.8 |
| PE-400X600 | 400X600 | 340 | 16-65 | 275 | 30 | 40-100 | 6.5 |
| PE-500X700 | 500X700 | 425 | 45-100 | 275 | 55 | 50-100 | 10.1 |
| PE-600X900 | 600X900 | 500 | 50-120 | 250 | 55 | 65-160 | 15.5 |
| PE-750X1060 | 750X1060 | 630 | 62-208 | 250 | 110 | 80-140 | 28 |
| PE-800X1060 | 800X1060 | 650 | 85-228 | 250 | 110 | 100-200 | 30 |
| PE-870X1060 | 870X1060 | 670 | 181-280 | 250 | 110 | 200-260 | 30.5 |
| PE-900X1200 | 900X1200 | 750 | 140-320 | 200 | 132 | 95-165 | 50 |
| PE-1000X1200 | 1000X1200 | 850 | 160-350 | 200 | 132 | 100-170 | 51 |
| PE-1200X1500 | 1200X1500 | 1020 | 300-800 | 180 | 220 | 150-350 | 74 |
| PE-1500X1800 | 1500X1800 | 1200 | 430-1000 | 160 | 355 | 220-350 | 122 |
| PE-250X750 | 250X750 | 210 | 13-35 | 330 | 22 | 25-60 | 4.9 |
| PE-250X1000 | 250X1000 | 210 | 16-52 | 330 | 30 | 25-60 | 6.5 |
| PE-250X1200 | 250X1200 | 210 | 20-60 | 330 | 37 | 25-60 | 7.7 |



单缸液压圆锥破碎机
Single Cylinder Hydraulic Cone Crusher

产品用途与特点:

单缸液压圆锥破碎机是用于冶金、化工、建材、水电、筑路等工业部门，对不同硬度的各种矿石或岩石进行中碎和细碎的主要设备，具有结构可靠，运转平稳，生产效率高，调整方便，产品粒度均匀等特点。

Single cylinder hydraulic cone crusher is used in metallurgy, chemical industry, building material, electric power, and paving. It's the secondary crushing and fine crushing equipments with the characteristic of reliable structure, stability operation, high efficient, convenient adjusting.

| | GPL100™ | GPL100S™ | GPL150S™ | GPL100™ | GPL100™ | GPL300™ | GPL500™ |
|----------------------|---------------------------------|--|---|---------------------------------|--|--|--|
| Crushing range | Secondary | Secondary | Secondary | Secondary, tertiary, quaternary | Secondary, tertiary, quaternary | Secondary, tertiary, quaternary | Secondary, tertiary, quaternary |
| Weight* | 27 t (59,000 lbs) | 121 t (267,000 lbs) | 242 t (533,000 lbs) | 6.2 t (13,700 lbs) | 81 t (178,000 lbs) | 16.6 t (36,600 lbs) | 28.7 t (63,300 lbs) |
| Power | 25 - 90 kW (30 - 125 hp) | 112 - 250 kW (155 - 300 hp) | 200 - 385 kW (275 - 475 hp) | 25 - 90 kW (30 - 125 hp) | 112 - 250 kW (155 - 300 hp) | 250 - 385 kW (325 - 425 hp) | 250 - 400 kW (325 - 500 hp) |
| Maximum feed opening | 226 mm (9 in.) | 320 mm (12 1/2 in.) | 380 mm (15 in.) | 115 mm (4 1/2 in.) | 204 mm (8 in.) | 225 mm (9 in.) | 225 mm (9 in.) |
| Stroke options | 16, 20, 25 mm (5/8, 3/4, 1 in.) | 18, 22, 25, 28, 32, 36 mm (7/8, 1, 1 1/8, 1 1/4, 1 1/2, 1 3/4 in.) | 18, 24, 28, 32, 36, 40 mm (7/8, 1 1/8, 1 1/4, 1 1/2, 1 3/4 in.) | 16, 20, 25 mm (5/8, 3/4, 1 in.) | 18, 25, 28, 32, 36, 40 mm (7/8, 1, 1 1/8, 1 1/4, 1 1/2, 1 3/4 in.) | 18, 22, 25, 28, 32, 36, 40 mm (7/8, 1, 1 1/8, 1 1/4, 1 1/2, 1 3/4 in.) | 22, 28, 32, 36, 40, 45 mm (7/8, 1 1/8, 1 1/4, 1 1/2, 1 3/4, 1 7/8 in.) |

| 机型 | 冲程 | 最大进料口 (mm) | 最大排料口 (mm) | 最大进料口 (mm) | | | 最大排料口 (mm) | | | 电动机功率 (kW) | 电动机重量 (kg) |
|--------|----|------------|------------|------------|----|----|------------|----|----|------------|------------|
| | | | | 冲程 | 冲程 | 冲程 | 冲程 | 冲程 | 冲程 | | |
| GPL100 | | | | 16 | 22 | | 16 | 22 | | 90 | 6000 |
| | A | 150 | 120 | 12 | 15 | | 19 | 17 | | | |
| | B | 130 | 105 | 10 | 13 | | 13 | 11 | | | |
| | C | 100 | 85 | 7 | 9 | | 13 | 10 | | | |
| GPL200 | | | | 18 | 25 | | 18 | 25 | | 160 | 10000 |
| | A | 220 | 180 | 18 | 22 | | 32 | 30 | | | |
| | B | 150 | 120 | 15 | 19 | | 32 | 30 | | | |
| | C | 80 | 60 | 9 | 12 | | 32 | 30 | | | |
| GPL300 | | | | 25 | 32 | | 25 | 32 | | 250 | 15500 |
| | A | 230 | 190 | 20 | 25 | | 45 | 40 | | | |
| | B | 150 | 125 | 17 | 20 | | 45 | 40 | | | |
| | C | 80 | 60 | 10 | 13 | | 40 | 35 | | | |
| GPL500 | | | | 25 | 32 | 40 | 25 | 32 | 40 | 115 | 22500 |
| | A | 230 | 180 | 22 | 26 | 30 | 30 | 45 | 40 | | |
| | B | 150 | 125 | 19 | 22 | 26 | 40 | 43 | 38 | | |
| | C | 100 | 80 | 12 | 14 | 16 | 40 | 35 | 30 | | |
| GPL600 | | | | 34 | 42 | 50 | 34 | 42 | 50 | 355 | 27000 |
| | A | 280 | 220 | 22 | 26 | 30 | 45 | 35 | 30 | | |
| | B | 150 | 125 | 19 | 22 | 26 | 45 | 35 | 30 | | |
| | C | 100 | 80 | 12 | 14 | 16 | 35 | 30 | 25 | | |

| 机型 | 冲程 | 最大排料口 (mm) | | | | | | | | | |
|--------|----|------------|---------|---------|---------|---------|---------|---------|---------|---------|---------|
| | | 8 | 12 | 16 | 20 | 25 | 30 | 35 | 40 | 45 | 50 |
| GPL100 | 16 | 35-40 | 45-55 | 55-65 | 65-75 | 75-85 | 90-100 | 105-115 | | | |
| | 22 | 45-50 | 55-65 | 65-75 | 75-90 | 85-105 | 100-125 | 115-135 | | | |
| GPL200 | 18 | 65-75 | 75-90 | 85-105 | 100-125 | 135-150 | 160-175 | 170-190 | | | |
| | 25 | | 90-110 | 110-130 | 125-155 | 160-180 | 185-210 | | | | |
| GPL300 | 25 | 100-120 | 110-135 | 130-160 | 150-180 | 170-200 | 200-230 | 230-260 | 250-290 | 270-310 | |
| | 32 | 110-135 | 130-150 | 160-200 | 180-220 | 200-250 | 230-280 | 260-310 | 280-320 | 300-340 | |
| GPL500 | 25 | 100-120 | 120-150 | 140-170 | 160-190 | 190-220 | 220-250 | 250-280 | 280-310 | 330-370 | |
| | 32 | | 150-170 | 170-200 | 200-230 | 250-270 | 280-300 | 310-340 | 370-420 | 430-500 | |
| GPL600 | 40 | | 180-200 | 210-240 | 250-280 | 300-330 | 330-380 | 370-420 | 430-500 | | |
| | 34 | / | 245-270 | 270-305 | 310-340 | 330-380 | 385-435 | 445-495 | 495-530 | 540-585 | 575-640 |
| | 42 | / | 280-320 | 320-355 | 350-395 | 390-460 | 475-525 | 550-605 | 610-655 | 650-715 | / |
| | 50 | / | 330-365 | 370-410 | 410-455 | 465-535 | 540-595 | 590-655 | 655-715 | / | / |



多缸液压圆锥破碎机 Mult-Cylinder Hydraulic Cone crusher

产品用途与特点:

多缸液压圆锥破碎机主要由定锥部、动锥部、偏心套部、传动部、机架部、调整环部、进料仓部、排料口调整部、锁紧保护油缸部、风机部、电机部、液压站、润滑站和特殊工具部等部件组成。

多缸液压圆锥破碎机是在弹簧圆锥破碎机的基础上发展起来的，它的基本结构与弹簧圆锥破碎机相似。多缸液压与弹簧圆锥破碎机的区别，只是原来的10-16组弹簧，换成10-16个保险缸。它由缸体、活塞、支架及螺栓组成。油缸由活塞分隔成A、B上下两室。

多缸圆锥破碎机工作部件由两个截锥体组成，并为正置状态。多缸液压圆锥破碎机的过铁保护装置为多组液压缸，并与锁紧保护装置集成一体，安装在上、下机器结合部。结构较为复杂，对于高硬度矿石破碎效果好，多用于矿、岩的中、细碎破碎作业。

The multi-cylinder hydraulic cone crusher is mainly composed of a fixed cone part, a moving cone part, an eccentric sleeve part, a transmission part, a frame part, an adjustment ring part, a feeding bin part, a discharge opening adjustment part, a locking protection cylinder part, a fan part, a motor department, hydraulic station, lubrication station and special tool department and other components.

The multi-cylinder hydraulic cone crusher is developed on the basis of the spring cone crusher, and its basic structure is similar to that of the spring cone crusher. The difference between multi-cylinder hydraulic and spring cone crushers is that the original 10-16 sets of springs are replaced by 10-16 insurance cylinders. It consists of cylinder, piston, bracket and bolts. The oil cylinder is divided into two chambers, A and B, by the piston.

The working parts of the multi-cylinder cone crusher are composed of two truncated cones. And is upright. The iron protection device of the multi-cylinder hydraulic cone crusher is a multi-group hydraulic cylinder, which is integrated with the locking protection device and installed at the joint of the upper and lower machines. The structure is relatively complex, and it has a good crushing effect on high-hardness ores. It is mostly used for medium and fine crushing operations of mines and rocks.

| 型号 Model | 腔体类型 Cavity Type | HPT 标准型 Standard Type | | HPT 短头型 Short Type | | 功率 Power(kw) | 生产能力 Capacity(t/h) |
|-------------|---------------------|--------------------------|------------------------------------|-------------------------|------------------------------------|-----------------|-----------------------|
| | | SPRING Fixed Springs | WPHHC Max. Throughput Sieves | SPRING Fixed Springs | WPHHC Max. Throughput Sieves | | |
| HPL200 | 超粗 Extra Coarse | | | | | 132-200 | 90-250 |
| | 粗型 Coarse | 185 | 19 | 78 | 10 | | |
| | 中型 Medium | 125 | 17 | 54 | 6 | | |
| | 细型 Fine | 95 | 13 | 23 | 6 | | |
| HPL300 | 超细 Extra Fine | | | 10 | 5 | 180-250 | 115-440 |
| | 超粗 Extra Coarse | 230 | 25 | | | | |
| | 粗型 Coarse | 210 | 20 | 75 | 10 | | |
| | 中型 Medium | 150 | 15 | 50 | 8 | | |
| HPL400 | 细型 Fine | 105 | 10 | 20 | 6 | 280-355 | 140-630 |
| | 超细 Extra Fine | | | 20 | 6 | | |
| | 超粗 Extra Coarse | 295 | 30 | | | | |
| | 粗型 Coarse | 250 | 25 | 90 | 10 | | |
| HPL500 | 中型 Medium | 195 | 20 | 50 | 8 | 355-450 | 175-790 |
| | 细型 Fine | 110 | 14 | 40 | 6 | | |
| | 超细 Extra Fine | | | 30 | 6 | | |
| | 超粗 Extra Coarse | 330 | 30 | | | | |
| HPL800 | 粗型 Coarse | 285 | 25 | 90 | 13 | 550-630 | 260-1200 |
| | 中型 Medium | 200 | 20 | 65 | 10 | | |
| | 细型 Fine | 133 | 16 | 40 | 8 | | |
| | 超细 Extra Fine | | | 35 | 6 | | |
| | 超粗 Extra Coarse | 353 | 32 | | | | |
| | 粗型 Coarse | 297 | 32 | 155 | 13 | | |
| | 中型 Medium | 267 | 25 | 92 | 10 | | |
| | 细型 Fine | 219 | 16 | 33 | 6 | | |
| | 超细 Extra Fine | | | | | | |

| 型号 Model | 腔体类型 Cavity Type | 卸料口尺寸 (mm) Discharge Opening | | | | | | | | | |
|-------------|---------------------|------------------------------|---------|---------|---------|---------|---------|---------|---------|----------|----------|
| | | 10mm | 13mm | 16mm | 19mm | 22mm | 25mm | 32mm | 38mm | 43mm | 51mm |
| HPL200 | t/h | 90-120 | 120-150 | 140-180 | 150-190 | 160-200 | 170-220 | 190-235 | 210-250 | | |
| HPL300 | t/h | 115-140 | 130-185 | 180-220 | 200-240 | 220-260 | 230-280 | 250-320 | 300-380 | 350-440 | |
| HPL400 | t/h | 140-175 | 185-230 | 225-280 | 255-320 | 275-345 | 295-370 | 325-430 | 360-490 | 410-560 | 465-630 |
| HPL500 | t/h | 175-220 | 230-290 | 280-350 | 320-400 | 345-430 | 365-455 | 405-535 | 445-605 | 510-700 | 580-790 |
| HPL800 | t/h | 260-335 | 325-425 | 385-500 | 435-545 | 470-600 | 495-730 | 545-800 | 600-950 | 690-1050 | 785-1200 |

西蒙斯圆锥破碎 Symons Cone Crusher

产品用途与特点:

西蒙斯圆锥破碎机是我公司在引进、吸收国外技术的基础上,根据客户的需求,基于层压破碎原理及多破少磨概念设计研发的集高摆频、优化腔型和合理冲程于一体的现代高性能弹簧圆锥破碎机。实践证明,PYS系列高效弹簧圆锥破碎机以其优异的性能、可靠的质量和高性价比赢得全球用户的信任,是传统圆锥破碎机的理想替代产品。



Symons cone crusher is a combination of high swing frequency, optimized cavity and reasonable stroke designed and developed based on the principle of lamination crushing and the concept of more breaking and less grinding on the basis of introducing and absorbing foreign technology. Modern high-performance spring cone crusher. Practice has proved that the PYS series high-efficiency spring cone crusher has won the trust of global users with its excellent performance, reliable quality and high cost performance. It is an ideal substitute for traditional cone crushers.

标准型西蒙斯圆锥破碎机性能参数表
STANDARD SYMONS CONE CRUSHERS PROPERTY PARAMETER TABLE

| 型号(标准) Model(Standard) | 破碎腔 大端直径 Crushing cone diameter (mm) | 主电机 Motor | | | | 润滑油 Lubricat ion Station (L/min) | 重量 Wei ght (Kg) | 备注 Rem ark | | |
|--|--|-------------|----------------------------|----------------------------|----------------------|--|--------------------------|------------------|-----|--------------------------------------|
| | | 型号 Model | 功 率 Power (Kw) | 转 速 Speed (r/min) | 电压 Voltage (V) | | | | | |
| (2FT) (600mm) | PYS 06 -B 07 PYS 06 -B 09 | 400 | Y200L- 6 (B) | 22 | 965 | 380 | 40 | 550 | 6 | 皮带 传动 Belt Trans mission |
| | PYS 06 -B 10 | | | | | | | | | |
| | PYS 09 -B 10 PYS 09 -B 17 | | | | | | | | | |
| | PYS 09 -B 18 | | | | | | | | | |
| (3FT) (900mm) | PYS 09 -B 10 PYS 09 -B 17 | 900 | Y315S- 6 Y315M- 6 | 35 | 965 | 380 | 63 | 120 | 30 | 皮带 传动 Belt Trans mission |
| | PYS 09 -B 18 | | | | | | | | | |
| | PYS 12 -B 13 PYS 12 -B 15 | | | | | | | | | |
| | PYS 12 -B 19 PYS 12 -B 25 | | | | | | | | | |
| (4FT) (1200mm) | PYS 12 -B 13 PYS 12 -B 15 PYS 12 -B 19 PYS 12 -B 25 | 1200 | Y315M- 6 Y315M- 6 | 110 | 965 | 380 | 100 | 243 | 60 | 皮带 传动 Belt Trans mission |
| | PYS 13 -B 13 PYS 13 -B 21 | | | | | | | | | |
| | PYS 13 -B 24 | | | | | | | | | |
| | PYS 13 -B 25 | | | | | | | | | |
| (4 1/2FT) (1275mm) | PYS 13 -B 13 PYS 13 -B 21 PYS 13 -B 24 PYS 13 -B 25 | 1295 | JS125- 6 JS127- 6 | 150 | 960 | 380 | 125 | 264 | 90 | 皮带 传动 Belt Trans mission |
| | PYS 16 -B 20 PYS 16 -B 24 PYS 16 -B 26 PYS 16 -B 36 | | | | | | | | | |
| | PYS 21 -B 27 PYS 21 -B 33 PYS 21 -B 36 PYS 21 -B 46 | | | | | | | | | |
| | PYS 21 -B 46 | | | | | | | | | |
| (5 1/2FT) (1690mm) | PYS 16 -B 20 PYS 16 -B 24 PYS 16 -B 26 PYS 16 -B 36 | 1676 | JS136- 6 JR136- 6 | 240 | 960 | 380 | 200 | 530 | 77 | 皮带 传动 Belt Trans mission |
| | PYS 21 -B 27 PYS 21 -B 33 PYS 21 -B 36 PYS 21 -B 46 | | | | | | | | | |
| | PYS 21 -B 46 | | | | | | | | | |
| | PYS 21 -B 46 | | | | | | | | | |
| (7FT.HD) (2100mm) | PYS 21 -B 27 PYS 21 -B 33 PYS 21 -B 36 PYS 21 -B 46 | 2134 | YKK50 0 -6 | 400 | 960 | 100 | 250 | 113 | 151 | 皮带 传动 Belt Trans mission |
| | PYS 21 -B 36 PYS 21 -B 46 | | | | | | | | | |
| | PYS 21 -B 46 | | | | | | | | | |
| | PYS 21 -B 46 | | | | | | | | | |
| (7FT.SH D) (2100mm) 超重型 Super Heavy Duty | PYS 21 -BC 27 PYS 21 -BC 33 PYS 21 -BC 36 PYS 21 -BC 46 | 2134 | YKK50 0 -6 | 450 | 960 | 100 | 250 | 113 | 151 | 皮带 传动 Belt Trans mission |
| | PYS 21 -BC 36 PYS 21 -BC 46 | | | | | | | | | |
| | PYS 21 -BC 46 | | | | | | | | | |
| | PYS 21 -BC 46 | | | | | | | | | |

短头型西蒙斯圆锥破碎机性能参数表
SHORT HEAD SYMONS CONE CRUSHERS
PROPERTY PARAMETER TABLE

| 型号(短头) Model(Short) | 破碎腔 大端直径 Crush ing cone diameter (mm) | 主电机 Motor | | | | 润滑油 Lubricat ion Station (L/min) | 重量 Wei ght (Kg) | 备注 Rem ark | | |
|--|---|-------------|----------------------------|----------------------------|----------------------|--|--------------------------|------------------|--------------------------------------|--------------------------------------|
| | | 型号 Model | 功 率 Power (Kw) | 转 速 Speed (r/min) | 电压 Voltage (V) | | | | | |
| (3FT) (900mm) | PYS-D 090 3 | 600 | Y200L- 6 (B) | 22 | 965 | 380 | 40 | 550 | 皮带 传动 Belt Trans mission | |
| | PYS-D 090 5 | | | | | | | | | |
| (3FT) (914mm) | PYS-D 090 4 | 900 | Y315S- 6 Y315M- 6 | 35 | 965 | 380 | 63 | 120 | 30 | 皮带 传动 Belt Trans mission |
| | PYS-D 090 5 | | | | | | | | | |
| | PYS-D 090 7 | | | | | | | | | |
| (4FT) (1219mm) | PYS-D 120 1 | 1200 | Y315M- 6 Y315M- 6 | 110 | 965 | 380 | 100 | 243 | 60 | 皮带 传动 Belt Trans mission |
| | PYS-D 120 7 | | | | | | | | | |
| | PYS-D 120 8 | | | | | | | | | |
| | PYS-D 121 1 | | | | | | | | | |
| (4 1/2FT) (1280mm) | PYS-D 130 1 | 1295 | JS126- 6 JS127- 6 | 150 | 960 | 380 | 125 | 264 | 90 | 皮带 传动 Belt Trans mission |
| | PYS-D 130 8 | | | | | | | | | |
| | PYS-D 131 0 | | | | | | | | | |
| | PYS-D 131 3 | | | | | | | | | |
| (5 1/2FT) (1676mm) | PYS-D 160 1 | 1676 | JS136- 6 JR136- 6 | 240 | 960 | 380 | 200 | 530 | 77 | 皮带 传动 Belt Trans mission |
| | PYS-D 160 8 | | | | | | | | | |
| | PYS-D 161 3 | | | | | | | | | |
| | PYS-D 161 4 | | | | | | | | | |
| (7FT.HD) (2100mm) | PYS-D 210 1 | 2134 | YKK50 0 -6 | 400 | 960 | 100 | 250 | 113 | 151 | 皮带 传动 Belt Trans mission |
| | PYS-D 210 3 | | | | | | | | | |
| | PYS-D 210 7 | | | | | | | | | |
| | PYS-D 210 9 | | | | | | | | | |
| (7FT.SH D) (2100mm) 超重型 Super Heavy Duty | PYS-D 210 1 | 2134 | YKK50 0 -6 | 450 | 960 | 100 | 250 | 113 | 151 | 皮带 传动 Belt Trans mission |
| | PYS-D 210 C | | | | | | | | | |



弹簧圆锥破碎机
Spring Cone Crusher

产品介绍 Brief Description:

PY系列弹簧圆锥式破碎机是我们公司经过吸收世界先进破碎技术研制出的具有先进水平的圆锥破碎机,使得本机处理能力大大提高,又由于采用了层压破碎原理,故破碎产品多为立体结构,极大程度上减少了针片状物料。

Widely used in the Quarrying and Mining industries, the Spring Cone Crusher, otherwise known as a Gyratory Crusher, is mainly used for Secondary and or Tertiary crushing. These well known machines are available in 4 sizes, being 900mm diameter, 1200mm diameter, 1750mm diameter, and 2200mm diameter. The 900, 1200, and 1750 models are all available with fine, medium, or coarse crushing cavities, and the 2200 machine is available in fine or coarse cavities.

优势和特点 Advantages and Characteristics

采用干油或者水两种密封方式,使灰尘杂质无法进入机体内,保证了润滑油的清洁,延长了滑动轴承、推力球轴承的使用寿命,使得机器运转可靠。

动锥连续转动,物料的破碎过程和卸料过程沿工作表面交替连续进行,成产率高。

动锥与定锥之间有一段间隙相等的平行带,使成品料度均匀,最终产品中,立方体所占的比例高。

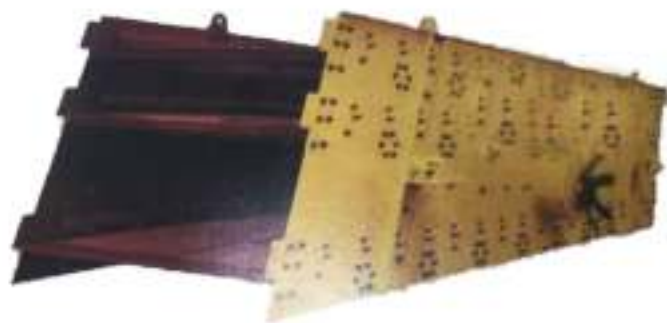
These machines have an improved dust and water preventative sealing system which ensures longer service of the crusher in harsh conditions. The crushing surface between the mantle and concave has been re designed to maximize the percentage of cubical shaped product rather than elongated stone. To obtain maximum production and the most desired product shape it is recommended that these machines be continuously "choke fed".

主要技术参数: Main Technical Parameters

| 型号 MODEL | 破碎锥直径 The diameter of the conical chamber (mm) | 最大进料粒度 Max. feed size (mm) | 排料口 调整范围 Adjustable range of discharge opening (MM) | 处理能力 Capacity (t/h) | 电机功率 Motor power (Kw) | 主动轴转速 Being frequency of drive shaft (r/min) | 重量 Weight (t) |
|-------------|---|-------------------------------------|--|---------------------------|-----------------------------|---|---------------------|
| PYB900 | 900 | 115 | 12-50 | 50-90 | 55 | 333 | 11.2 |
| PYZ900 | 900 | 60 | 5-20 | 20-65 | 55 | 333 | 11.2 |
| PYD900 | 900 | 50 | 3-13 | 15-50 | 55 | 333 | 11.3 |
| PYB1200 | 1200 | 145 | 20-50 | 110-168 | 110 | 300 | 24.7 |
| PYZ1200 | 1200 | 100 | 8-25 | 42-135 | 110 | 300 | 25 |
| PYD1200 | 1200 | 50 | 3-15 | 18-105 | 110 | 300 | 25.3 |
| PYB1200 | 1200 | 215 | 25-60 | 280-480 | 160 | 245 | 50 |
| PYZ1750 | 1750 | 185 | 10-30 | 115-320 | 160 | 245 | 50 |
| PYD1750 | 1750 | 85 | 5-15 | 75-230 | 160 | 245 | 50 |
| PYB2200 | 2200 | 300 | 30-60 | 590-1000 | 280 | 220 | 80 |
| PYD2200 | 2200 | 100 | 5-15 | 120-340 | 280 | 220 | 81.4 |

振动筛 Vibrating Screen

产品介绍 Brief Description:



YA系列圆振动筛作为破碎后物料筛分的首选设备，用于各类矿石、岩石等物料的分级筛选作业。广泛应用于建材、选矿、路桥、电力、基础建设等行业物料的分级筛分。

YA Series circular vibrating screen, as the first choice equipment of materials screening after crushing, is used for classifying and screening all kinds of ore, rock and other materials. Widely used in building materials, mineral processing, road and bridge, power, infrastructure and other industries material classification screening.

主要技术参数: Main Technical Parameters

| 型号 MODEL | 筛面规格 Screen Size (mm) | 筛孔尺寸 Screen Hole Size (mm) | 进颗粒度 Feed size (mm) | 处理能力 Capacity (t/h) | 电机功率 Motor power (Kw) | 振动频率 Vibration Frequency (r/min) | 双振幅 Double Amplitude (mm) |
|-------------|-----------------------------|----------------------------------|---------------------------|---------------------------|-----------------------------|--|---------------------------------|
| 2YA-1860 | 1800X6000 | <70 | <200 | 80-280 | 22 | 730 | 8-10 |
| 3YA-1860 | 1800X6000 | <70 | <200 | 80-280 | 30 | 730 | 8-10 |
| 4YA-1860 | 1800X6000 | <70 | <200 | 80-280 | 37 | 730 | 8-10 |
| 2YA-2160 | 2100X6000 | <70 | <200 | 100-450 | 30 | 730 | 8-11 |
| 3YA-2160 | 2100X6000 | <70 | <200 | 100-450 | 30 | 730 | 8-11 |
| 4YA-2160 | 2100X6000 | <70 | <200 | 100-450 | 45 | 730 | 8-10 |
| 2YA-2470 | 2400X7000 | <70 | <200 | 160-380 | 30 | 730 | 8-11 |
| 3YA-2470 | 2400X7000 | <70 | <200 | 160-450 | 37 | 730 | 8-11 |
| 4YA-2470 | 2400X7000 | <70 | <200 | 160-450 | 45 | 730 | 8-11 |
| 2YA-3073 | 3000X7300 | <70 | <200 | 200-550 | 60 | 730 | 8-10.5 |
| 3YA-3073 | 3000X7300 | <70 | <200 | 200-550 | 60 | 730 | 8-10.5 |

高压辊磨机 (HPGR) High Pressure Grinding Rollers

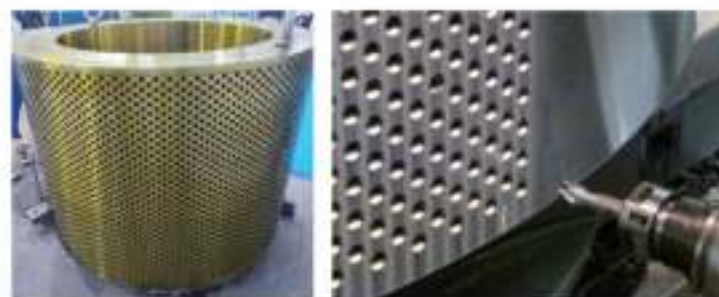
产品介绍 Brief Description:

高压辊磨机(HPGR)以节能破碎著称,适用于矿山和骨料行业进行高效破碎,最常用于处理坚硬岩石。当然,也可用于提纯工业矿物等较软的物料。小型号的高压辊磨机在生产沥青和混凝土用机制砂方面表现尤为突出。

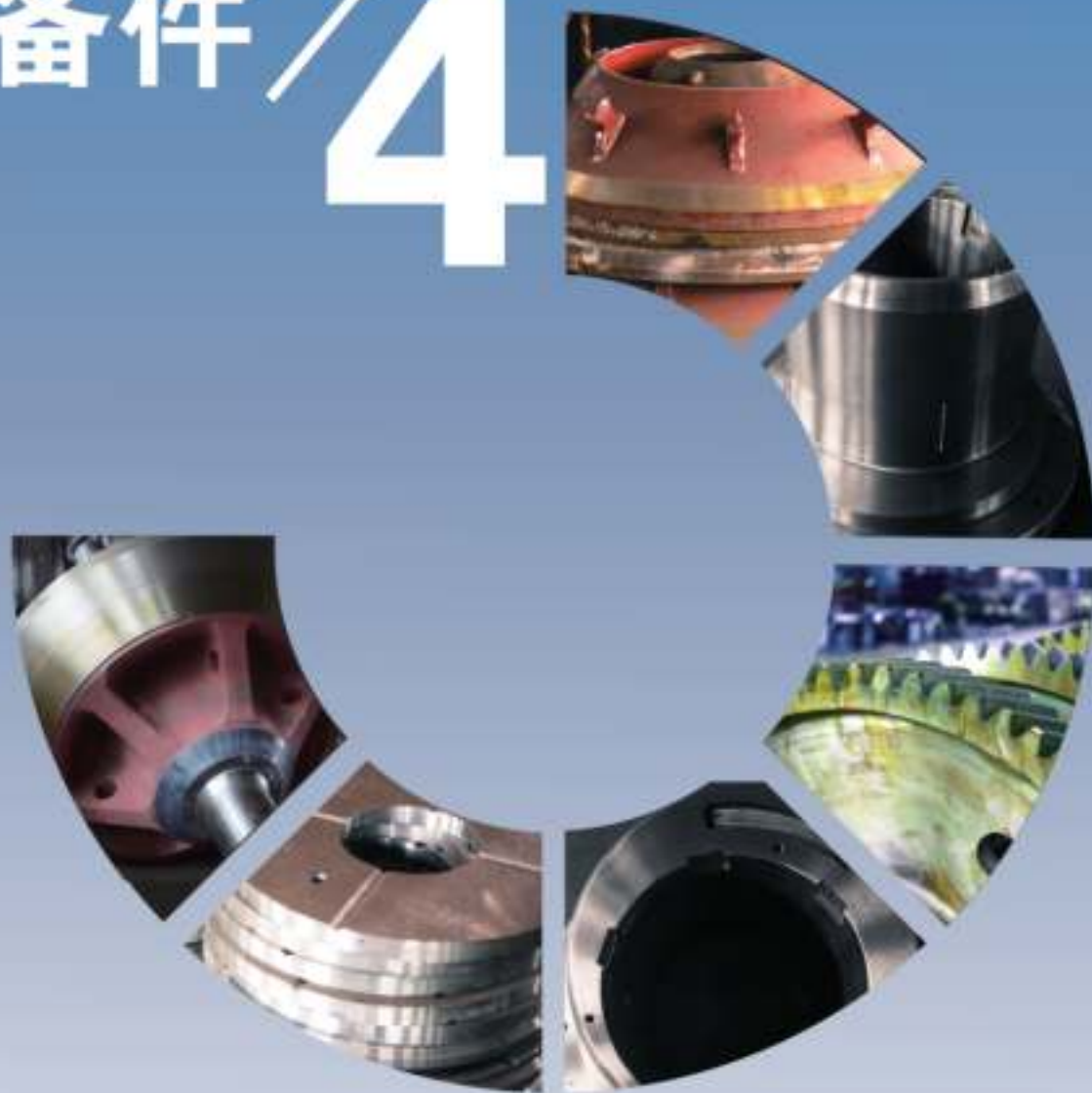
我工厂为主要制造高压辊磨机的厂家。有20年的制造经验。国内外的很多高压辊磨机的源头厂家来自Shilong。并且该产品远销欧美,非洲安哥拉,澳大利亚等国家。

Known for their energy-efficient crushing, High Pressure Grinding Rollers (HPGR) are suitable for high-efficiency crushing in the mining and aggregates industries, most commonly in hard rock. Of course, it can also be used to purify soft materials such as industrial minerals. Smaller models of high-pressure roller mills are particularly good at producing manufactured sand for asphalt and concrete.

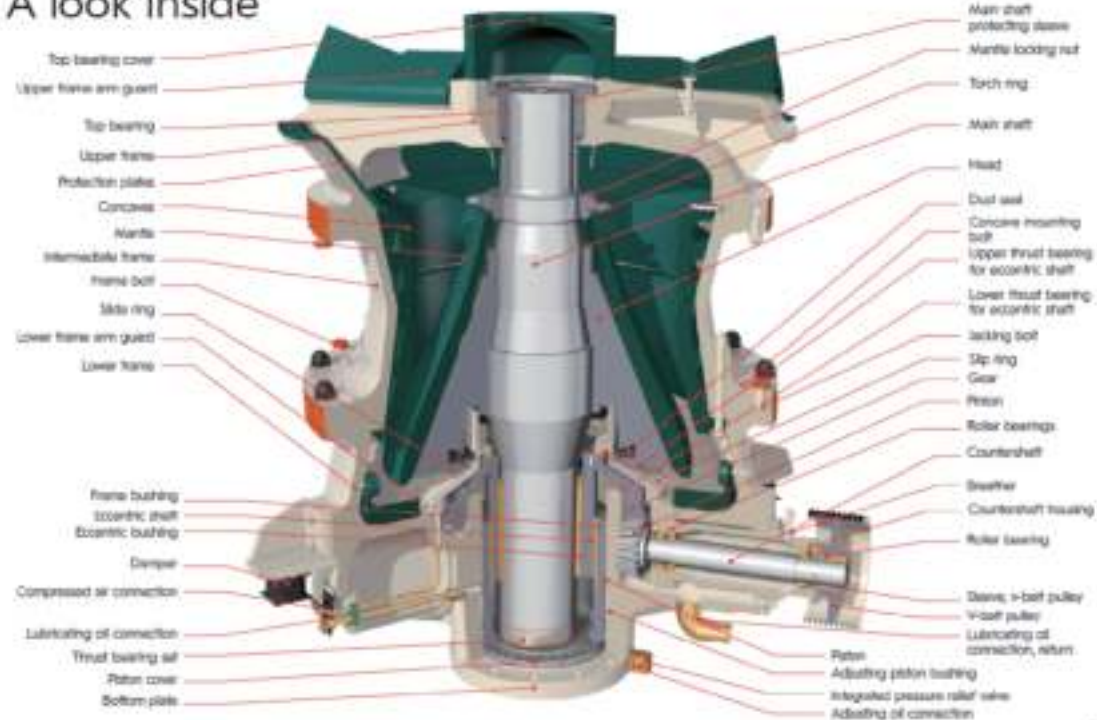
Our factory is mainly a manufacturer of high pressure roller mills. There are 20 years of manufacturing experience. The source manufacturers of many high pressure roller mills at home and abroad come from Shilong. And the products are exported to Europe, America, Africa, Angola, Australia and other countries.



Spare Parts 备件 / 4

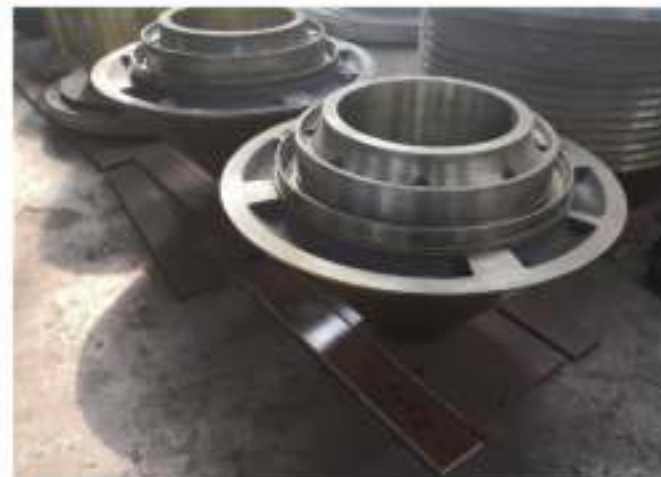
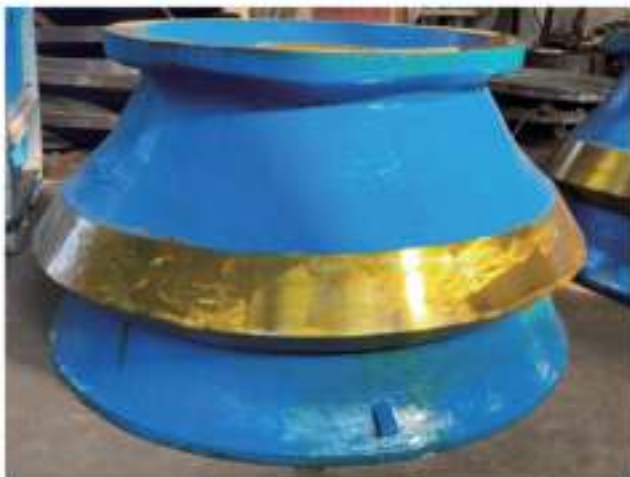
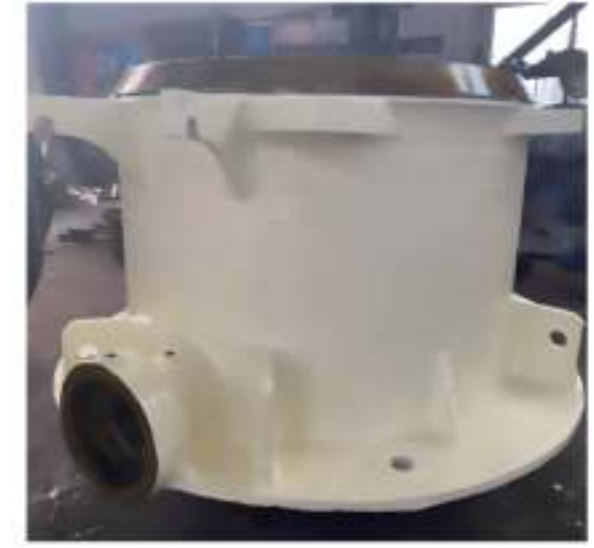
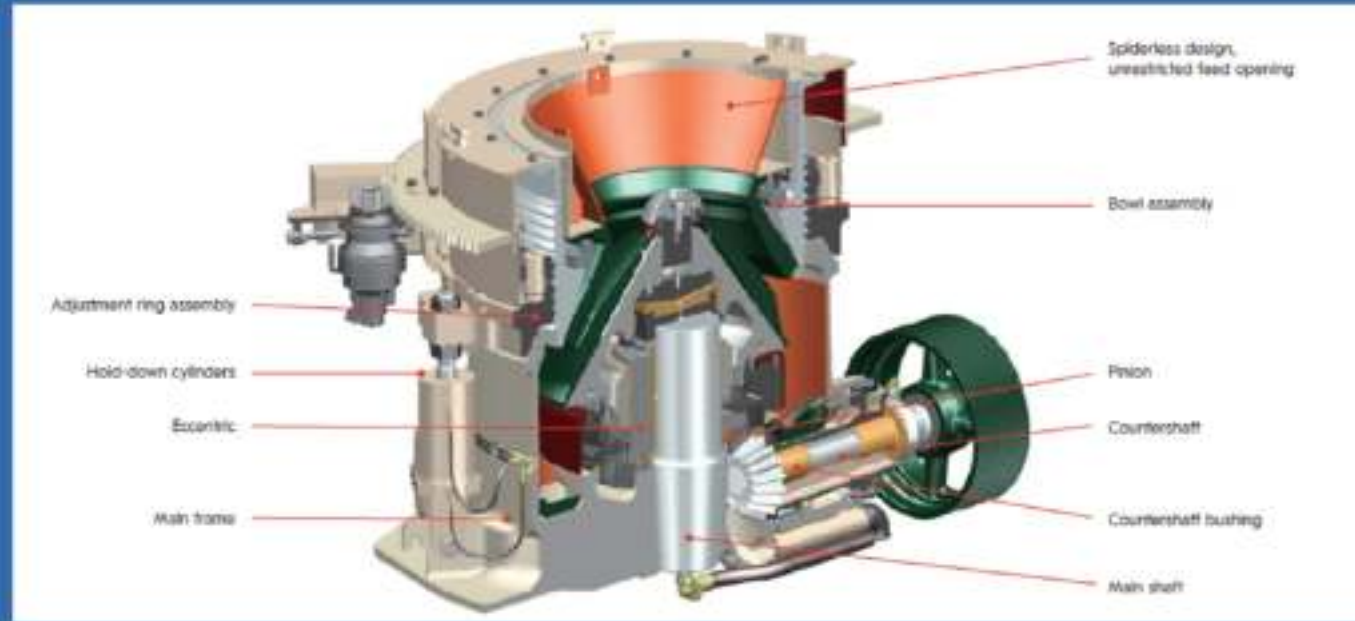


A look inside











矿山破碎设备 和筛分设备生产线

Mine crushing equipment and screening Production Line

5

沈阳世隆在矿山行业的破碎设备和筛分设备上，有着20年的生产制造和安装经验。通过最开始东北老工业基地的制造业沉淀，沈阳世隆从最早的沈阳重型的老弹簧破碎机的制造，逐步发展为OEM世界各类国际品牌的破碎机，并且在质量和价格上也得到了客户的一直好评。

Shenyang Shilong has 20 years of experience in manufacturing and installing crushing equipment and screening equipment in the mining industry. Through the accumulation of the manufacturing industry in the old Northeast industrial base, Shenyang Shilong has gradually developed from the earliest Shenyang heavy-duty old spring crusher manufacturing to OEM crushers of various international brands in the world, and has also been recognized in terms of quality and price. Customers have always praised.





全球展会 | 6

Shilong Global Exhibition



近些年来，沈阳世隆大力发展全球市场。为了快速占领市场，推广Shilong品牌，Shenyang Shilong不计成本的全球范围内参加展会。现阶段，Shilong品牌已经得到了一些国家和客户的初步认可。在未来，我们将再接再厉，势必将Shilong品牌推广到全球。

In recent years, Shenyang Shilong has vigorously developed the global market. In order to quickly occupy the market, promote the Shilong brand, Shenyang Shilong participates in exhibitions all over the world regardless of cost. At this stage, Shilong brand has been initially recognized by some countries and customers. In the future, we will make persistent efforts to promote the Shilong brand to the world.



FACE THE WORLD

全球展会 | 6

Shilong Global Exhibition



FACE THE WORLD

世隆质量担保

Shilong Quality Assurance

7

世隆工厂从建厂以来，一切以质量为主，始终坚持把质量放在第一位。

从选材开始，我们的锻件和铸件采购全部为大型的铸造及锻造工厂，并要求提供详细的材质单和机械性能。对每一批铸件和锻件，均要求提供详细的探伤报告。对于特殊要求的客户，我们将对原材料材质进行回厂材质检测和探伤检测。

对于每一件产品，我们都严格把控其生产流程。对每一个生产工艺流程设置相关节点，并要求检验人员在每个节点环节进行检测。如检测出不合格产品，立刻进行报废处理。并提供给客户每个工艺节点的检验报告。

在检测方面，我们除了有常规的检验工具以外，也有特殊的检测设备。在尺寸检测上，我们有关节臂三坐标检测，在常规尺寸检测的基础上，利用三坐标进行复检。并对每一个形位公差进行检验。

在探伤检测上，我们对每一个铸件和锻件进行表面检测，超声波探伤检测及磁粉探伤检测。对于有特殊要求的客户，还可以进行材质光谱检测及金属相检测。

Since the establishment of Shilong Factory, everything has been based on quality, and it has always insisted on putting quality first. Starting from material selection, all our forgings and castings are purchased from large casting and forging factories. And request to provide a detailed list of materials and mechanical properties. A detailed flaw detection report is required for each batch of castings and forgings. For customers with special requirements, we will carry out material testing and flaw detection on raw materials.

For each product, we strictly control its production process. Set relevant nodes for each production process. And require inspectors to conduct inspections at each node. If unqualified products are detected, they shall be discarded immediately. And provide customers with inspection reports for each process node. In terms of testing, in addition to conventional testing tools, we also have special testing equipment. In terms of size inspection, we have three-coordinate inspection of articulated arms. On the basis of conventional size inspection, we use three-coordinate re-inspection. And check each geometric tolerance.

